

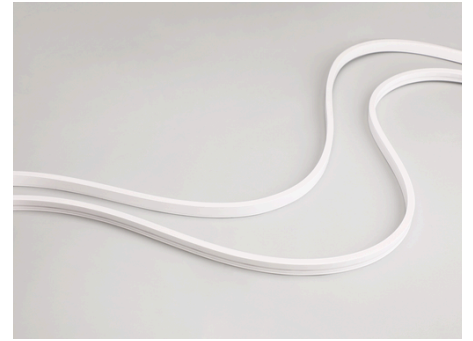
# LED NEON FLEX SPECIFICATION

## IP68 NEON 1220 24V SIDE VIEW

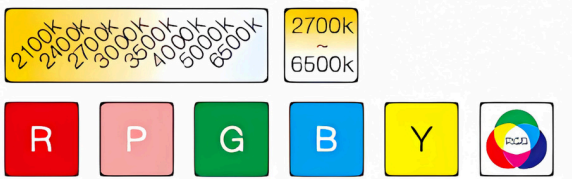


## IP68 NEON 1220 24V SIDE VIEW

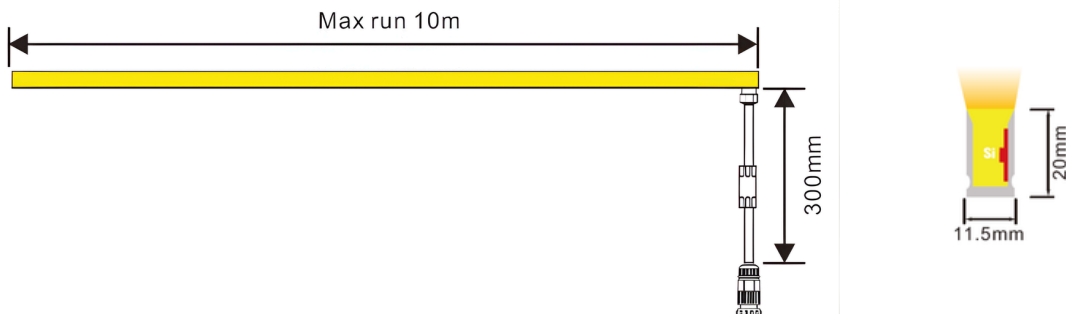
Fully extrusion LED flexible neon, IP68 protection, specially in-feed system and end cap design enable a dot-free alignment of numerous fixtures for a homogeneous light line with uninterrupted illumination. Resistant to water, saltwater, UV radiation, sunlight, and chlorine.



**Suitable for submersion max 3 m water deep.**



## DIMENSIONS & WATERPROOFING



Note :  
Due to the tolerance of the production and electrical components, output value and electrical power can vary up to 10%

## PRODUCT SPECIFICATION

MONO			
Dimension (W x H x L) mm	11.5 x 20 x 10000	Voltage (V)	DC 24
IP Rating	IP 68	Power (W/M)	12W/15W
CRI	>90	Efficacy@4000K	34 Lm/W
Minimum Length (mm)	Free Cut	Body Finish	Premium Silicone / White
LED Type	2835 LED	Bend Radius	150mm
Bend Direction	Horizontal (side bending)	Lumen Output	452Lm/m, 476Lm/m, 528Lm/m
Control Protocol	0-10V / PWM / Dali	Min. Ambient Temperature	-25°C
Storage Temperature	-25°Cmin, 60°Cmax	Max. Ambient Temperature	50°C

TUNABLE WHITE			
Dimension (W x H x L) mm	11.5 x 20 x 10000	Voltage (V)	DC 24
IP Rating	IP 68	Power (W/M)	12W/15W
CRI	>90	Efficacy@4000K	26 Lm/W
Minimum Length (mm)	62.5	Body Finish	Premium Silicone / White
LED Type	2835 LED	Bend Radius	150mm
Bend Direction	Horizontal (side bending)	Lumen Output	140Lm/m, 364Lm/m, 182Lm/m
Control Protocol	0-10V / PWM / Dali	Min. Ambient Temperature	-25°C
Storage Temperature	-25°Cmin, 60°Cmax	Max. Ambient Temperature	50°C

## PRODUCT SPECIFICATION

RGB			
Dimension (W x H x L) mm	11.5 x 20 x 10000	Voltage (V)	DC 24
IP Rating	IP 68	Power (W/M)	12W/15W
CRI	-	Efficacy@4000K	12 Lm/W
Minimum Length (mm)	62.5	Body Finish	Premium Silicone / White
LED Type	4040 LED	Bend Radius	150mm
Bend Direction	Horizontal (side bending)	Lumen Output	168Lm/m
Control Protocol	PWM / Dali	Min. Ambient Temperature	-25°C
Storage Temperature	-25°Cmin, 60°Cmax	Max. Ambient Temperature	50°C

RGBW			
Dimension (W x H x L) mm	11.5 x 20 x 10000	Voltage (V)	DC 24
IP Rating	IP 68	Power (W/M)	12W/15W
CRI	-	Efficacy@4000K	11 Lm/W
Minimum Length (mm)	62.5	Body Finish	Premium Silicone / White
LED Type	5050 LED	Bend Radius	150mm
Bend Direction	Horizontal (side bending)	Lumen Output	154Lm/m
Control Protocol	PWM / Dali	Min. Ambient Temperature	-25°C
Storage Temperature	-25°Cmin, 60°Cmax	Max. Ambient Temperature	50°C

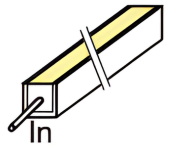
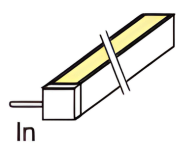
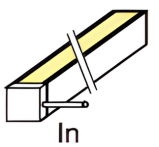
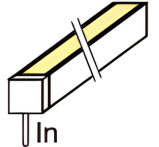
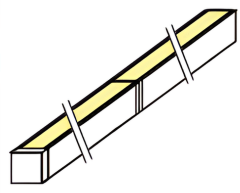
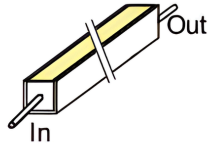
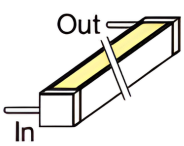
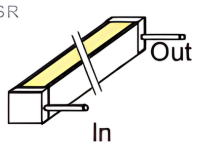
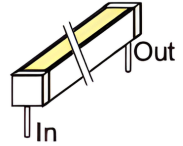
## PRODUCT SPECIFICATION

RGBW-SPI			
Dimension (W x H x L) mm	11.5 x 20 x 10000	Voltage (V)	DC 24
IP Rating	IP 68	Power (W/M)	12W/15W
No. of Pixels	14pixels/m	Efficacy@4000K	25 Lm/W
Minimum Length (mm)	71.4	Body Finish	Premium Silicone / White
LED Type	5050 LED	Bend Radius	150mm
Bend Direction	Horizontal (side bending)	Lumen Output	360Lm/m
Control Protocol	SPI	Min. Ambient Temperature	-25°C
Storage Temperature	-25°Cmin, 60°Cmax	Max. Ambient Temperature	50°C

RGBW-DMX			
Dimension (W x H x L) mm	11.5 x 20 x 10000	Voltage (V)	DC 24
IP Rating	IP 68	Power (W/M)	12W/15W
No. of Pixels	14pixels/m	Efficacy@4000K	25 Lm/W
Minimum Length (mm)	71.4	Body Finish	Premium Silicone / White
LED Type	5050 LED	Bend Radius	150mm
Bend Direction	Horizontal (side bending)	Lumen Output	350Lm/m
Control Protocol	DMX512	Min. Ambient Temperature	-25°C
Storage Temperature	-25°Cmin, 60°Cmax	Max. Ambient Temperature	50°C

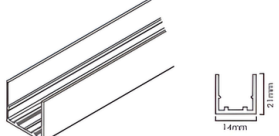
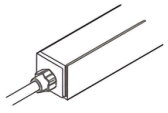
# PRODUCT SPECIFICATION

## CABLE ENTRY OPTION EXAMPLES

F-FRONT	S-SIDE-LEFT	S-SIDE-RIGHT	B-BOTTOM	SEAMLESS SPLICING
FX 	SLX 	SRX 	BX 	
FF 	SLSL 	SRSR 	BB 	

## PROFILES AND MOUNTING OPTIONS


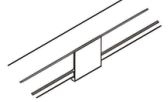
### FIXED ALUMINUM PROFILE

	EXAMPLES OF INSTALLATION	PART NUMBER	DETAILS
		1220-FAP-____*MM	FAP- Fixed aluminum profile

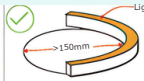
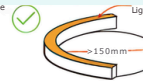
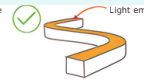

### BENDABLE STAINLESS STEEL PROFILE

	EXAMPLES OF INSTALLATION	PART NUMBER	DETAILS
		1220-BSP-____*MM	BSP- Bendable stainless steel profile

### MOUNTING CLIPS

	EXAMPLES OF INSTALLATION	PART NUMBER	DETAILS
		1220-MC	MC- Mounting clips

## PROFILES AND MOUNTING OPTIONS

Bending in CURE form - horizontal				<b>DO NOT TWIST</b> 
DO NOT bend in wave form - vertical	