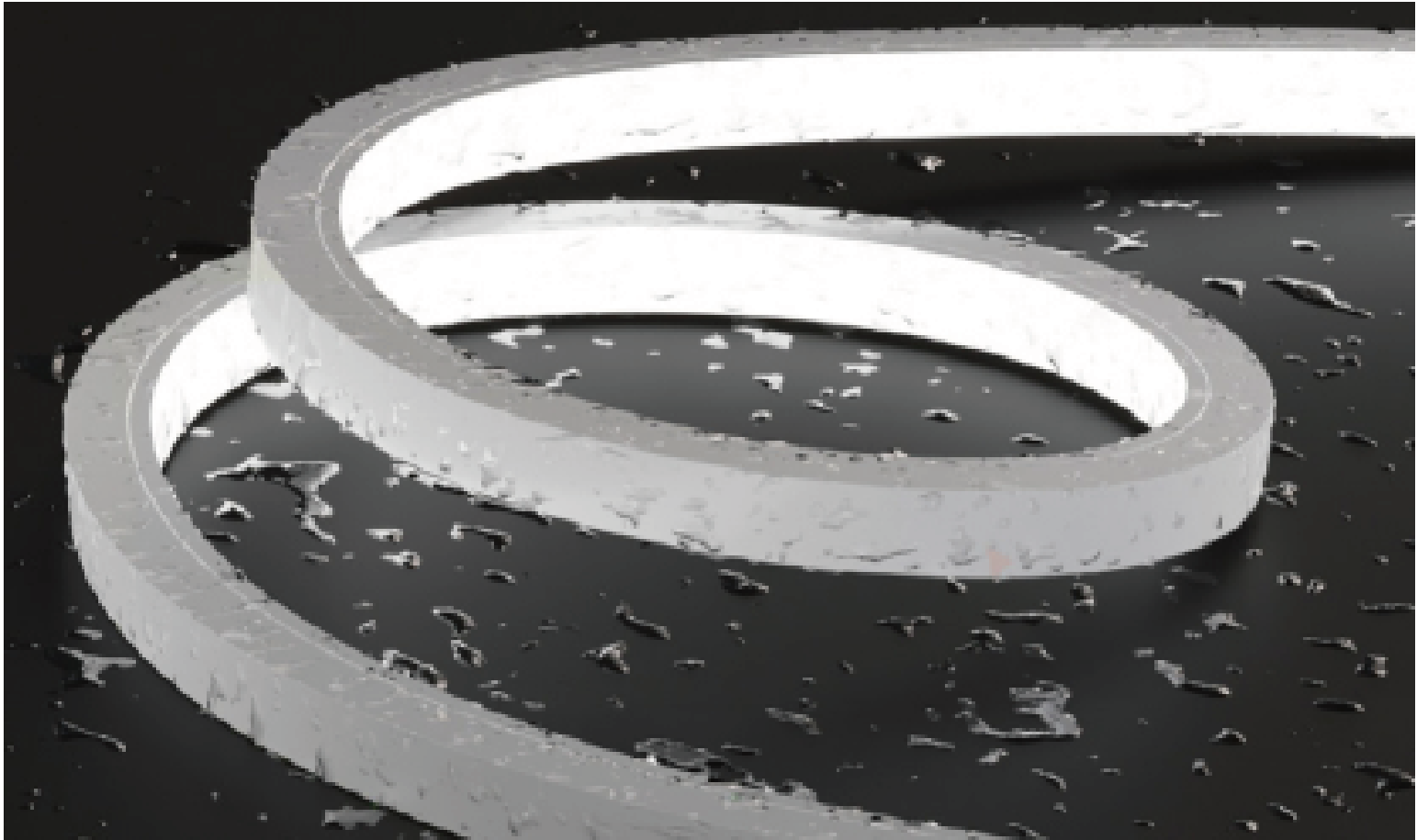


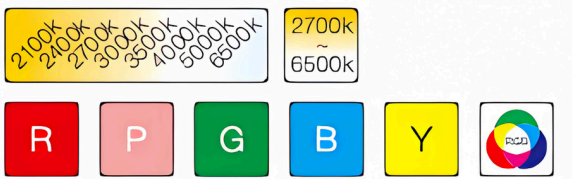
LED FLEXIBLE NEON SPECIFICATION

IP68 FLEXIBLE NEON 1313 24V

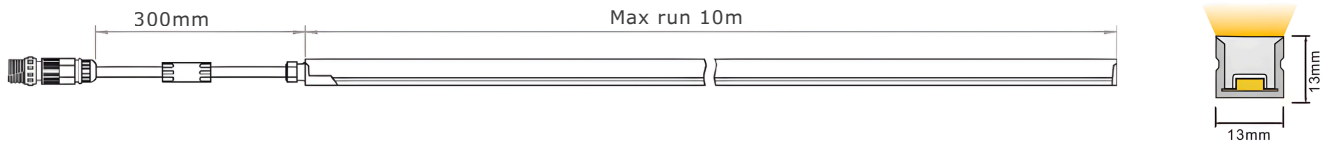


IP68 FLEXIBLE NEON 1313 24V

Fully extrusion LED flexible neon, IP68 protection, specially in-feed system and end cap design enable a dot-free alignment of numerous fixtures for a homogeneous light line with uninterrupted illumination. High output and absolutely homogenous illumination and dot-free light surface. Suitable for submersion max 3 m water deep.



DIMENSIONS & WATERPROOFING



BENDING DIRECTION

Bending in wave form - vertical		Twist
Do not bend in this way, the LED will break immediately.		



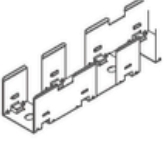
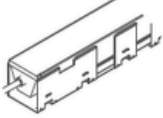

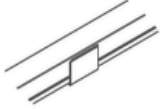
PRODUCT SPECIFICATION

STANDARD			
Dimension (L x W x H) mm	10000 x 13 x 13	Voltage (V)	DC 24
IP Rating	68	Power (W/m)	12
CRI	>80	Body Finish	Premium Silicon / White
Minimum Length (mm)	50	Bend Direction	Vertical
LED Type	2835 LED	Bend Radius	50mm
Control Protocol	0-10V / TRIAC	Lumen Output (Lm)	756 / 816 / 876
Efficacy (Lm/W)	73	Storage Temperature	-25°Cmin, 60°Cmax
Lumen Maintenance	L70@54,000 hours	Min. Ambient Temperature	-25°C
Step MacAdam	3	Max. Ambient Temperature	45°C

CABLE ENTRY OPTION EXAMPLES

BX - BOTTOM+CLOSE	BB - BOTTOM+BOTTOM
	

PROFILES AND MOUNTING OPTIONS

FIXED ALUMINUM PROFILE			
	EXAMPLES OF INSTALLATION	PART NUMBER	DETAILS
		1313-FAP-____*MM	FAP- Fixed aluminum profile
BENDABLE STAINLESS STEEL PROFILE			
	EXAMPLES OF INSTALLATION	PART NUMBER	DETAILS
		1313-BSP-____*MM	BSP- Bendable stainless steel profile
MOUNTING CLIPS			
	EXAMPLES OF INSTALLATION	PART NUMBER	DETAILS
		1313-MC	MC- Mounting clips