

PRODUCT DESCRIPTION

A surface-mounted light built with SMD LED, giving off a warm 3000K glow. It provides steady, gentle lighting that works well in both indoor and outdoor areas. The shape is simple and neat, with a sturdy body that handles daily use with ease. Suitable for spaces like porches, corridors, kitchens, and bathrooms where warm, welcoming light is needed.

LED

IP65

IK06

CE

PRODUCT SPECIFICATION

LIGHTING FEATURES

Type of LED:	SMD
Average LED Life:	>50,000h at 25°C Ambient Temperature
Color Temperature:	3000K
CRI:	<80+
Lumen Output at Source:	-
Total Delivered Lumens:	2960 Lm

OPTICAL FEATURES

Beam Angle:	75° x 55°
Accessory:	-

ELECTRICAL FEATURES

Light Source:	21x1.7W
Consumption:	120=42.5W / 240=42W
Voltage:	DC 24V / AC 120V-240V
Control Protocol:	1-10V / Dali / Triac

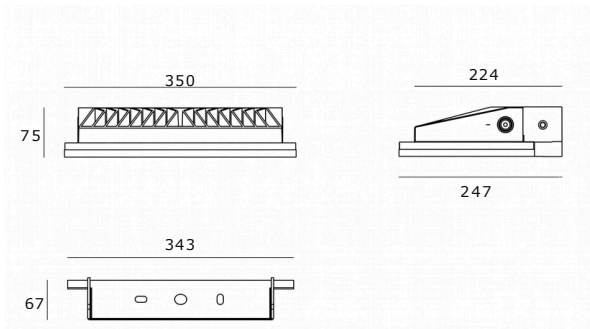
MECHANICAL FEATURES

Dimensions:	L350 x H224 X W247
Housing Material:	Dia Cast Aluminum or Powder Painting
Finish:	Sanded Dark Grey / Sanded Black
Mounting Type:	Ceiling Recessed

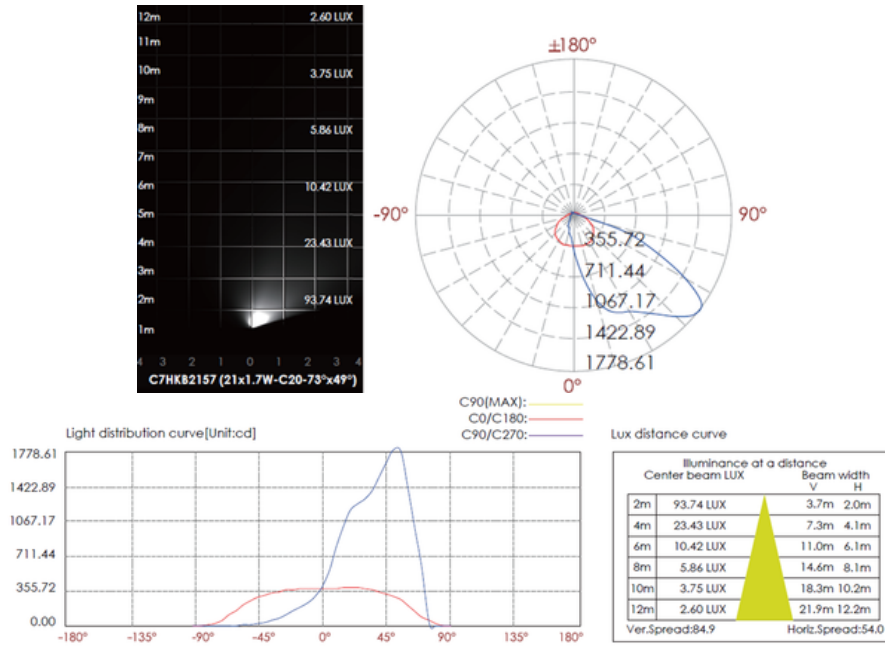
GENERAL FEATURES

Ingress Protection:	IP65
Operating Temp:	From -20°C to 40°C
Impact Resistance:	IK06

DIMENSION DRAWING



PHOTOMETRIC



APPLICATION



DIAGRAM INSTRUCTION

