



PRODUCT DESCRIPTION

This RGBW LED spotlight features a durable aluminum housing for heat dissipation and high-efficiency optical lenses. Its multiple RGBW 4-in-1 LEDs offer vivid color mixing and quality white light, suitable for various applications. With DMX512 support for precise dimming and dynamic effects, it is rated IP65/IP66, making it ideal for architectural facades, stage performances, landscape lighting, and landmark projects.

LED

IP66

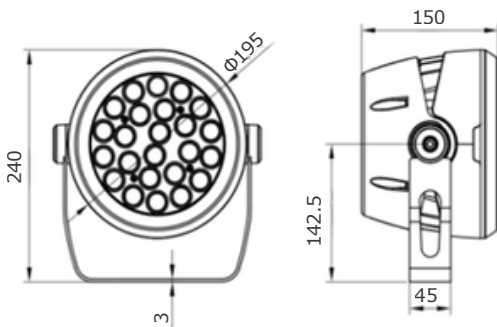
IK08

CE

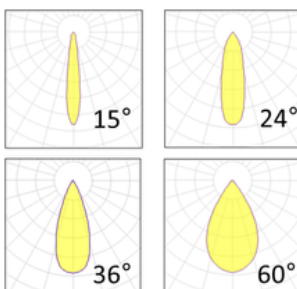
PRODUCT SPECIFICATION

IP Rating	66
IK Rating	06
Source Type	RGBW 4-in-1 LEDs
Source Life Time	>50,000h at 25°C Ambient Temperature
CRI	>80
Step McAdam	3
Source Flux	1920 lm
Source Efficiency	80 lm/W
Delivered Flux	1440 lm
Delivered Efficiency	60 lm/W
Input Power	24 W
Supply Voltage	110~240V AC
Insulation Class	Class I
Power Supply	Built in constant current
Material	Aluminum + Tempered Glass
Light Color / CCT	RGBW
Beam Angle	15° / 24° / 36° / 60°
Mounting	Surface Mounted
Reflector Color	-
Finish	Grey / Custom Color

TECHNICAL DRAWING



PHOTOMETRICS



Temperature Limits

Working Temperature	-30C° to +50C°
Storage Temperature	-50C° to +80C°

Light Control

DMX512

Warranty

- 5-year limited system warranty standard
- Warranty does not cover product failure due to an overvoltage event (power surge)
- For installations where power surge may be possible, NICOR recommends installing additional surge protection at the electrical distribution panel