



PRODUCT DESCRIPTION

This adjustable in-ground light features a robust stainless steel top cover and a durable housing, designed for long-term outdoor use. The adjustable internal structure allows flexible beam angle positioning, enabling precise accent lighting. With a sealed construction for reliable protection against water and dust, it is ideal for landscape lighting, trees, building facades, and architectural features.

LED

IP68

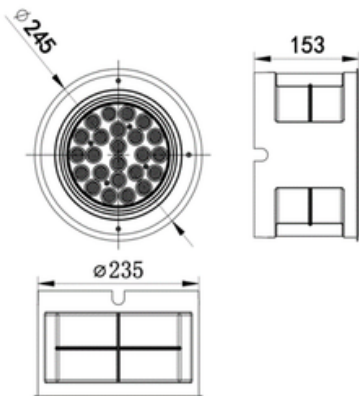
IK10

CE

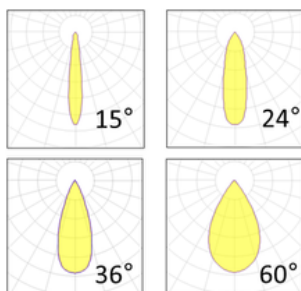
PRODUCT SPECIFICATION

IP Rating	68
IK Rating	10
Source Type	RGBW 4-in-1 LEDs
Source Life Time	>50,000h at 25°C Ambient Temperature
CRI	>80
Step McAdam	3
Source Flux	2400 lm
Source Efficiency	80 lm/W
Delivered Flux	1800 lm
Delivered Efficiency	60 lm/W
Input Power	30 W
Supply Voltage	220V DC
Insulation Class	Class I
Power Supply	Built in constant current
Material	Aluminium + 304 Stainless Steel
Light Color / CCT	RGBW
Beam Angle	15° / 24° / 36° / 60°
Mounting	Ceiling - recessed
Reflector Color	-
Finish	White

TECHNICAL DRAWING



PHOTOMETRICS



Temperature Limits

Working Temperature	-30C° to +50C°
Storage Temperature	-50C° to +80C°

Light Control

DMX512

Warranty

- 5-year limited system warranty standard
- Warranty does not cover product failure due to an overvoltage event (power surge)
- For installations where power surge may be possible, NICOR recommends installing additional surge protection at the electrical distribution panel