

LINEAR WALL WASHER | AA-WW3528-300

PRODUCT DESCRIPTION

This LED wall washer has a durable aluminum housing for effective heat dissipation and features an adjustable mounting bracket for flexible positioning. With an IP66 rating, it offers excellent water and dust protection, making it suitable for outdoor architectural facades, landscape lighting, and commercial use.

IP66

IK08

ON
OFF

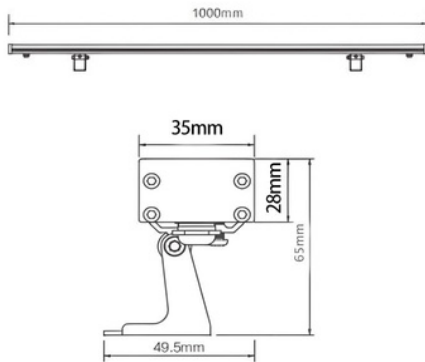
DC
24V

CE

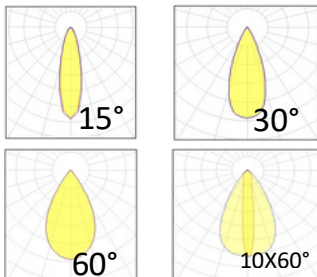
PRODUCT SPECIFICATION

IP Rating	66
IK Rating	8
Source Type	RGBW 4-in-1 LEDs
Source Life Time	>50,000h at 25°C Ambient Temperature
CRI	>80
Step McAdam	3
Source Flux	3360 lm
Source Efficiency	120 lm/W
Delivered Flux	2240 lm
Delivered Efficiency	80 lm/W
Input Power	28 W
Supply Voltage	24V DC
Insulation Class	Class III
Power Supply	Built in Constant Current
Material	Aluminum + Tempered Glass
Light Color / CCT	RGBW
Beam Angle	10° / 15° / 30° / 60° / 10x60°
Mounting	Surface Mounted
Reflector Color	-
Finish	Grey / Custom Color

TECHNICAL DRAWING



PHOTOMETRICS



Temperature Limits

Working Temperature	-30C° to +50C°
Storage Temperature	-50C° to +80C°

Light Control

ON - OFF / DMX512

Warranty

- 5-year limited system warranty standard
- Warranty does not cover product failure due to an overvoltage event (power surge)
- For installations where power surge may be possible, NICOR recommends installing additional surge protection at the electrical distribution panel