

LINEAR WALL WASHER | AA-WW3525-600



PRODUCT DESCRIPTION

This LED wall washer features a robust aluminum housing for durability and superior heat dissipation. Its adjustable mounting bracket allows flexible angle positioning to meet diverse lighting requirements. With an IP66 rating, the fixture provides excellent protection against water and dust, making it ideal for outdoor architectural facades, landscape lighting, and commercial applications.

IP66

IK08

DMX

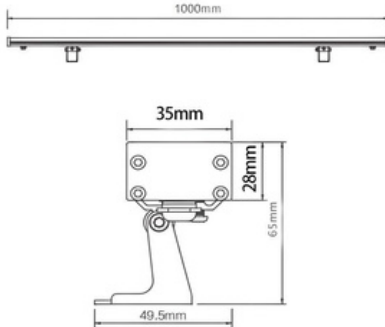
DC
24V

CE

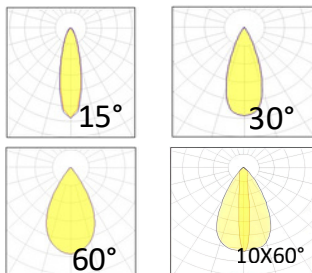
PRODUCT SPECIFICATION

IP Rating	66
IK Rating	8
Source Type	RGBW 4-in-1 LEDs
Source Life Time	>50,000h at 25°C Ambient Temperature
CRI	>80
Step McAdam	3
Source Flux	3600 lm
Source Efficiency	120 lm/W
Delivered Flux	2400 lm
Delivered Efficiency	80 lm/W
Input Power	30 W
Supply Voltage	24V DC
Insulation Class	Class III
Power Supply	Built in Constant Current
Material	Aluminum + Tempered Glass
Light Color / CCT	3000K / 4000K / 6000K / RGBW
Beam Angle	10° / 15° / 30° / 60° / 10x60°
Mounting	Surface Mounted
Reflector Color	-
Finish	Grey / Custom Color

TECHNICAL DRAWING



PHOTOMETRICS



Temperature Limits

Working Temperature	-30C° to +50C°
Storage Temperature	-50C° to +80C°

Light Control

ON - OFF / DMX512

Warranty

- 5-year limited system warranty standard
- Warranty does not cover product failure due to an overvoltage event (power surge)
- For installations where power surge may be possible, NICOR recommends installing additional surge protection at the electrical distribution panel