



PRODUCT DESCRIPTION

This recessed LED downlight features a robust aluminum housing designed to efficiently dissipate heat, ensuring optimal performance and longevity. Its adjustable, spring-loaded retention tabs facilitate secure and easy installation, accommodating various ceiling thicknesses. The fixture is certified for direct contact with insulation, enhancing its versatility in different ceiling configurations. Available in multiple finishes and beam angles, it seamlessly integrates into diverse interior styles.

LED

IP43

IK08

CE

PRODUCT SPECIFICATION

LIGHTING FEATURES

Type of LED:	High Power LEDs
Average LED Life:	>50,000h at 25°C Ambient Temperature
Color Temperature:	3000K / 4000K / 6000K
CRI:	Ra90+
Lumen Output at Source:	120 lm/w
Total Delivered Lumens:	3200lm

OPTICAL FEATURES

Beam Angle:	15° / 24° / 36° / 55°
Accessory:	NA

ELECTRICAL FEATURES

Power:	4 x 10W (OSRAM driver constant current)
Voltage:	AC 220V-240V
Control Protocol:	On-Off

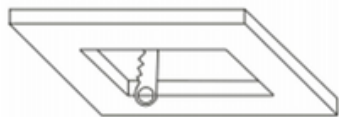
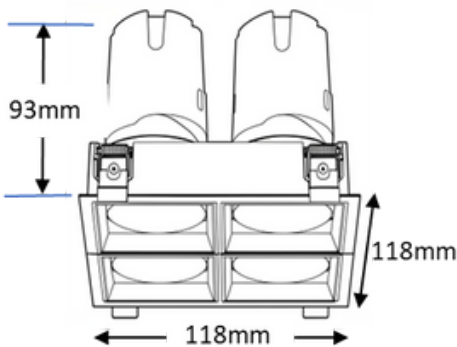
MECHANICAL FEATURES

Dimensions:	93mm x 118mm x 118mm, cut size: 109mm x 109mm
Housing Material:	Aluminum
Finish:	Black / White
Mounting Type:	Ceiling Recessed

GENERAL FEATURES

Ingress Protection:	IP 43
Operating Temp:	From -30°C to 50°C
Impact Resistance:	IK 08
Insulation Class:	Class III

DIMENSION DRAWING



cut size:109*109mm