

PRODUCT DESCRIPTION

This round wall-mounted LED lights are designed to provide powerful and precise illumination for your home or business. They can be configured for either a one-way or up-and-down lighting effect, allowing you to create the perfect ambiance. Crafted from durable, powder-coated aluminum, these fixtures can be customized with various colors to seamlessly match your facade. They are IP65-rated and feature anti-corrosion finishes, making them ideal for any outdoor application.

LED

IP65

IK05

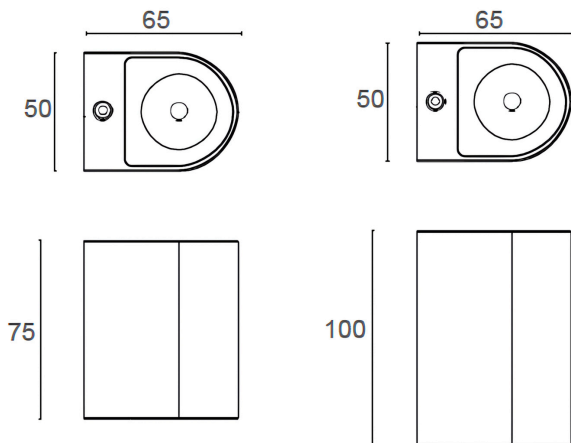


PRODUCT SPECIFICATION

LIGHTING FEATURES

No. and Type of LED:	1pcs / 2 X 1pcs High Power LEDs
Average LED Life:	70% after 50000hrs
Color Temperature:	2200K to 6000K / RGB / RGBW
CRI:	Ra80+ / Ra90+
Lumen Output at Source:	-
Total Delivered Lumens:	180lm / 2 x 180lm

DIMENSION DRAWING



OPTICAL FEATURES

Beam Angle:	5° / 12° / 24° / 38°
Accessory:	NA

ELECTRICAL FEATURES

Power:	3W / 2 x 3W
Voltage:	AC 220V (integrated driver)
Control Protocol:	On-Off / PWM / Phase / 1-10V / Dali / DMX

MECHANICAL FEATURES

Dimensions:	D50mm x W65mm x H75mm D50mm x W65mm x H100mm
Housing Material:	Aluminum / Tempered Glass / SS304 Bracket
Finish:	Black RAL9011 / White RAL9003, RAL9010 / Grey RAL9006 / Custom made
Mounting Type:	Surface Mounted

GENERAL FEATURES

Ingress Protection:	IP 65
Operating Temp:	From -35°C to 50°C
Impact Resistance:	IK 05
Insulation Class:	Class I