



PRODUCT DESCRIPTION

This stylish, weather-resistant LED downlight is perfect for both indoor and outdoor applications. Made from sturdy aluminum housing, it provides a range of color temperature options and beam angles to meet diverse lighting requirements. With its contemporary design and dependable performance, it is an excellent choice for enhancing ambiance in a variety of environments.

LED

IP65

IK05

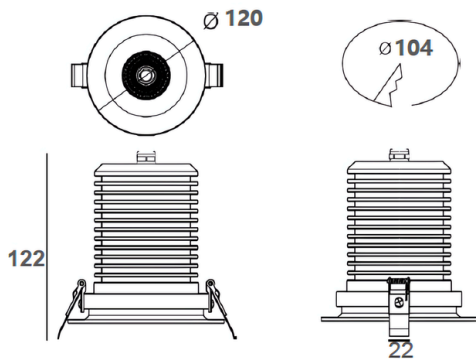


PRODUCT SPECIFICATION

LIGHTING FEATURES

No. LED:	1pcs
Average LED Life:	70% after 50000hrs
Color Temperature:	2200K to 6000K / RGB /RGBW
CRI:	Ra 80+ / Ra90+
Lumen Output at Source:	-
Total Delivered Lumens:	1020lm / 1210lm

DIMENSION DRAWING



OPTICAL FEATURES

Beam Angle:	12° / 24°/ 38°
Accessories:	NA

ELECTRICAL FEATURES

Power:	12W / 14W
Voltage:	AC 220V
Control Protocol:	On-Off / PWM / Phase / 1-10V / Dali / DMX

MECHANICAL FEATURES

Dimensions:	D120mm x H122mm
Housing Material:	Aluminum
Finish:	Black RAL9011 / White RAL9003, RAL9010 / Grey RAL9006 / Customized
Mounting Type:	Recessed

GENERAL FEATURES

Ingress Protection:	IP 65
Operating Temp:	From -35°C to 50°C
Impact Resistance:	IK 05
Insulation Class:	Class I