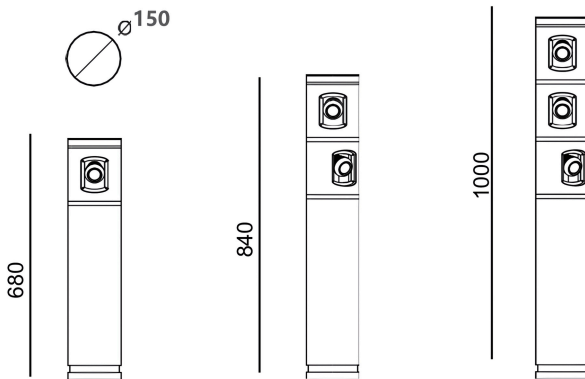




DIMENSION DRAWING



PRODUCT DESCRIPTION

Brighten outdoor spaces with a modern, cylindrical LED bollard. Crafted from durable aluminum and tempered glass, it features powerful LED modules housed in sleek, weather-resistant fittings. With customizable color temperatures, dimming options, and finishes ranging from classic to custom tones, this fixture is built to withstand harsh conditions while adding elegant, reliable lighting to pathways, gardens, or entryways.

LED

IP65

IK08



Dimmable

PRODUCT SPECIFICATION

LIGHTING FEATURES

| | |
|-------------------------|------------------------------------|
| No. of LED: | 1 x 1pcs / 1 x 2pcs / 1 x 3pcs |
| Average LED Life: | 70% after 50000hrs |
| Color Temperature: | 2200K to 6000K |
| CRI: | Ra80+ / Ra90+ |
| Lumen Output at Source: | - |
| Total Delivered Lumens: | 1 x 800 lm / 2 x 800lm / 3 x 800lm |

OPTICAL FEATURES

| | |
|-------------|----|
| Beam Angle: | - |
| Accessory: | NA |

ELECTRICAL FEATURES

| | |
|-------------------|---|
| Power: | 1 x 12W / 2 x 12W / 3 x 12W |
| Voltage: | DC 24V / AC 220V |
| Control Protocol: | On-Off / PWM / Phase / 1-10V / Dali / DMX / DMX+RDM |

MECHANICAL FEATURES

| | |
|-------------------|--|
| Dimensions: | D100mm x H800mm / D160mm x H800mm / D200mm x H800mm |
| Housing Material: | Aluminum / Tempered Glass |
| Finish: | Black RAL9011 / White RAL9003 , RAL9010 / Grey RAL9006 / Custom made |
| Mounting Type: | Surface Mounted |

GENERAL FEATURES

| | |
|---------------------|--------------------|
| Ingress Protection: | IP 65 |
| Operating Temp: | From -35°C to 50°C |
| Impact Resistance: | IK 08 |
| Insulation Class: | Class I |