



PRODUCT DESCRIPTION

This sleek surface-mounted downlight features a durable aluminum housing with a powder-coated finish, ensuring corrosion resistance and an IP65 rating for reliable outdoor use. Ideal for canopy lighting, it seamlessly complements various facade colors. Additionally, the fixture provides adjustable color temperatures and beam angles, offering versatile lighting options suitable for numerous architectural applications.

LED

IP65

IK05

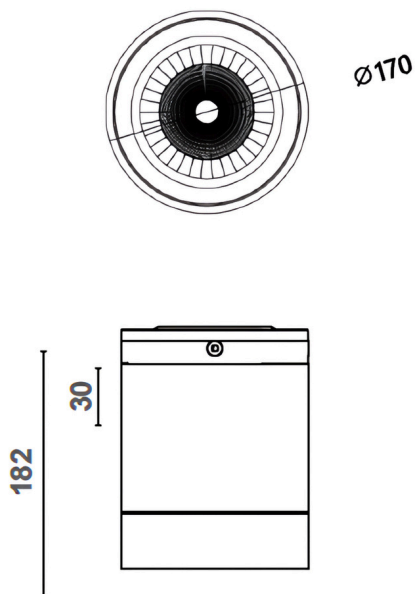


PRODUCT SPECIFICATION

LIGHTING FEATURES

No. of LED:	1pcs
Average LED Life:	70% after 50000hrs
Color Temperature:	2200K to 6000K / RGB / RGBW
CRI:	Ra80+ / Ra90+
Lumen Output at Source:	-
Total Delivered Lumens:	1600lm / 2180lm

DIMENSION DRAWING



OPTICAL FEATURES

Beam Angle:	5° / 12° / 24° / 38° / 60°
Accessory:	NA

ELECTRICAL FEATURES

Power:	20W / 28W
Voltage:	AC 220V (integrated driver)
Control Protocol:	On-Off / PWM / Phase / 1-10V / Dali / DMX

MECHANICAL FEATURES

Dimensions:	D170mm x W182mm
Housing Material:	Aluminum / Clear Acrylic Diffuser
Finish:	Black RAL9011 / White RAL9003, RAL9010 / Grey RAL9006 / Custom made
Mounting Type:	Surface Mounted

GENERAL FEATURES

Ingress Protection:	IP 65
Operating Temp:	From -35°C to 50°C
Impact Resistance:	IK 05
Insulation Class:	Class I