



PRODUCT DESCRIPTION

A compact recessed light that blends seamlessly into floors, walls, or ceilings. It features a sleek stainless-steel trim with a durable aluminum body and tempered glass lens, offering a clean, modern look that vanishes into its surroundings. Engineered for both indoor and outdoor settings, it's built to withstand the elements while casting a soft, inviting glow perfect for accenting architectural details, illuminating pathways, or creating atmospheric lighting.

LED

IP67

IK08



PRODUCT SPECIFICATION

LIGHTING FEATURES

No. and Type of LED:	4pcs High Power LEDs
Average LED Life:	70% after 50000hrs
Color Temperature:	2700K to 6000K / RGB / RGBW
CRI:	Ra80+ / Ra90+
Lumen Output at Source:	75lm/w
Total Delivered Lumens:	465lm / 750lm

OPTICAL FEATURES

Beam Angle:	Narrow 10° / Spot 15° / Flood 25° / 40° / 60°
Accessory:	NA

ELECTRICAL FEATURES

Power:	6W / 10W
Voltage:	DC 12V / DC 24V / AC 220V
Control Protocol:	On-Off / DMX / DALI / 1-10 V / PWM

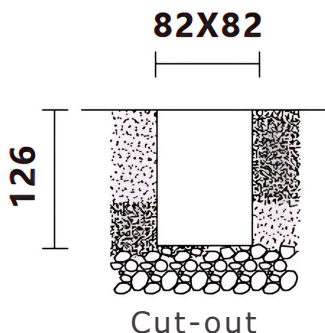
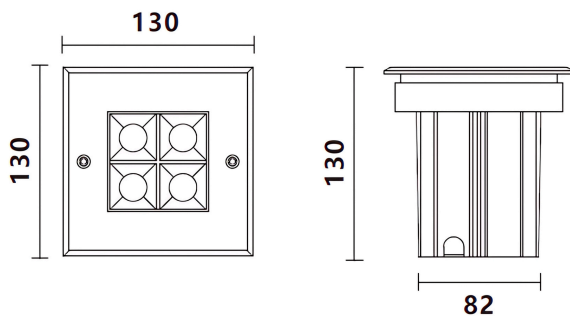
MECHANICAL FEATURES

Dimensions:	L130mm x W130mm x H126mm
Housing Material:	SS316 Flange Trim / Aluminum Body / Tempered Glass
Finish:	Steel Brush
Mounting Type:	Recessed (Ground / Wall / Ceiling)

GENERAL FEATURES

Ingress Protection:	IP 67
Operating Temp:	From -35°C to 50° C
Impact Resistance:	IK 08
Insulation Class:	Class I / Class III
Cable:	Include 1m Neoprene Cable (customizable lengths)

DIMENSION DRAWING



82X82

126

Cut-out