



PRODUCT DESCRIPTION

This 24W recessed LED light is designed for versatile outdoor applications, including in-ground, wall, and ceiling installations. Its durable stainless steel housing ensures longevity, while the sleek design complements various architectural styles. With multiple color temperature options and dimming capabilities, it provides customizable lighting solutions to enhance both residential and commercial spaces.

LED

IP67

IK08

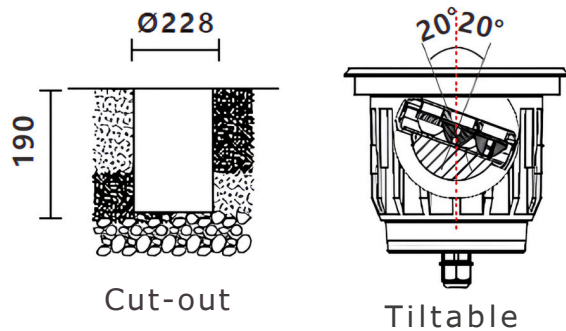
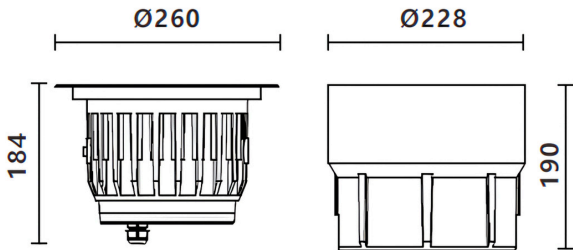


PRODUCT SPECIFICATION

LIGHTING FEATURES

No. and Type of LED:	12pcs SMD LEDs
Average LED Life:	70% after 50000hrs
Color Temperature:	2200K to 5000K / RGB / RGBW
CRI:	Ra80+ / Ra90+
Lumen Output at Source:	-
Total Delivered Lumens:	1750lm

DIMENSION DRAWING



OPTICAL FEATURES

Beam Angle:	Spot 15° / Flood 25° / 40° / 60°
Accessory:	Honey-comb / Louvre / Half-shield / Optics Lens / Frosted (upon request)

ELECTRICAL FEATURES

Power:	24W
Voltage:	DC 24V / AC 220V
Control Protocol:	On-Off / DALI / 1-10 V / DMX / PWM

MECHANICAL FEATURES

Dimensions:	D260mm x H184mm
Housing Material:	SS316 Flange Trim / Black Aluminum Body
Finish:	Steel Brush / Custom Made
Mounting Type:	Recessed (In-ground / Wall / Ceiling)

GENERAL FEATURES

Ingress Protection:	IP 67
Operating Temp:	From -35°C to 50°C
Impact Resistance:	IK 08
Insulation Class:	Class I / Class III
Cable:	Include 1m Neoprene Cable (customizable lengths)