



PRODUCT DESCRIPTION

An architectural grade recessed LED fixture designed to discreetly integrate into ceilings, walls, or floors. It provides warm or vivid RGB illumination effectively accenting interiors, exteriors, or pathways. Seamlessly blending into minimalist and upscale environments, it enhances ambiance without visual intrusion. Perfect for refined architectural lighting schemes that demand elegance, subtlety, and impactful lighting design.

LED

IP67

IK08

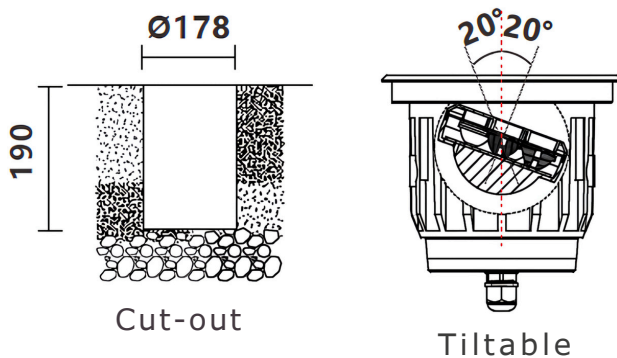
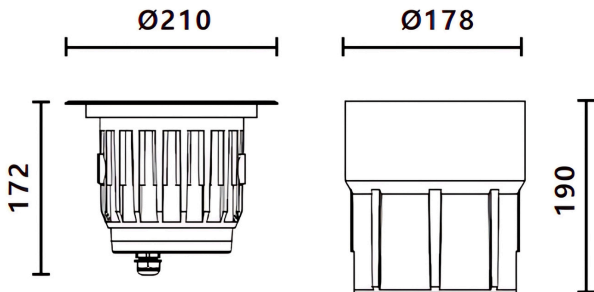


PRODUCT SPECIFICATION

LIGHTING FEATURES

No. and Type of LED:	9pcs SMD LEDs
Average LED Life:	70% after 50000hrs
Color Temperature:	2200K to 5000K / RGB / RGBW
CRI:	Ra80+ / Ra90+
Lumen Output at Source:	-
Total Delivered Lumens:	1290lm

DIMENSION DRAWING



OPTICAL FEATURES

Beam Angle:	Spot 15° / Flood 25° / 40° / 60°
Accessory:	Honey-comb / Louvre / Half-shield / Optics Lens / Frosted (upon request)

ELECTRICAL FEATURES

Power:	18W
Voltage:	DC 24V / AC 220V
Control Protocol:	On-Off / DALI / 1-10 V / DMX / PWM

MECHANICAL FEATURES

Dimensions:	D210mm x H172mm
Housing Material:	SS316 Flange Trim / Black Aluminum Body
Finish:	Steel Brush / Custom Made
Mounting Type:	Recessed (Inground / Wall / Ceiling)

GENERAL FEATURES

Ingress Protection:	IP 67
Operating Temp:	From -35°C to 50°C
Impact Resistance:	IK 08
Insulation Class:	Class I / Class III
Cable:	Include 1m Neoprene Cable (customizable lengths)