



**PRODUCT DESCRIPTION**

A sleek, round-profile LED light designed to seamlessly blend into floors, walls, or ceilings. Built with premium stainless-steel trim and a black anodized aluminum body, it's ruggedized for outdoor and indoor use. With a recessed mount and a clean, minimalistic aesthetic, it's ideal for sophisticated architectural and landscape lighting that enhances spaces without drawing attention to the light source itself.

**LED**

**IP67**

**IK08**

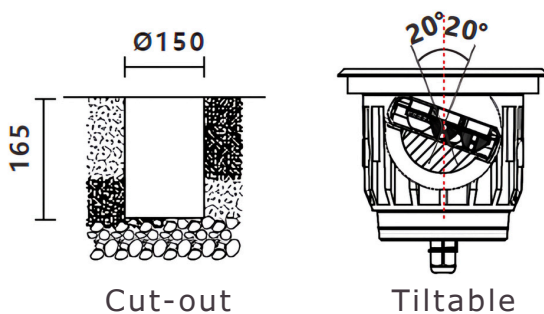
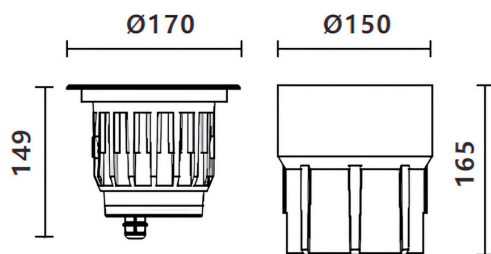


**PRODUCT SPECIFICATION**

**LIGHTING FEATURES**

No. and Type of LED:	6pc SMD LEDs
Average LED Life:	70% after 50000hrs
Color Temperature:	2200K to 5000K / RGB / RGBW
CRI:	Ra80+ / Ra90+
Lumen Output at Source:	68lm/w
Total Delivered Lumens:	820lm

**DIMENSION DRAWING**



**OPTICAL FEATURES**

Beam Angle:	Spot 15° / Flood 25° / 40° / 60°
Accessory:	Honey-comb / Louvre / Half-shield / Optics Lens / Frosted (upon request)

**ELECTRICAL FEATURES**

Power:	12W
Voltage:	DC 24V / AC 220V
Control Protocol:	On-Off / DALI / 1-10 V / DMX / PWM

**MECHANICAL FEATURES**

Dimensions:	D170mm x H149mm
Housing Material:	SS316 Flange Trim and Black Aluminum Body
Finish:	Steel Brush / Custom Made
Mounting Type:	Recessed (Inground, Wall, Ceiling)

**GENERAL FEATURES**

Ingress Protection:	IP 67
Operating Temp:	From -35°C to 50° C
Impact Resistance:	IK 08
Insulation Class:	Class I / Class III
Cable:	Include 1m Neoprene Cable (customizable lengths)