



PRODUCT DESCRIPTION

A sophisticated architectural LED fixture with a minimalist yet elegant presence, perfect for ground or wall installations. It delivers radiant, inviting illumination in customizable warm, cool, or vibrant hues and accommodates bespoke finishes to harmonize with any setting. Designed for seamless integration into both indoor and outdoor environments, this fixture complements contemporary architecture while offering enduring style and visual grace.

LED

IP65

IK06

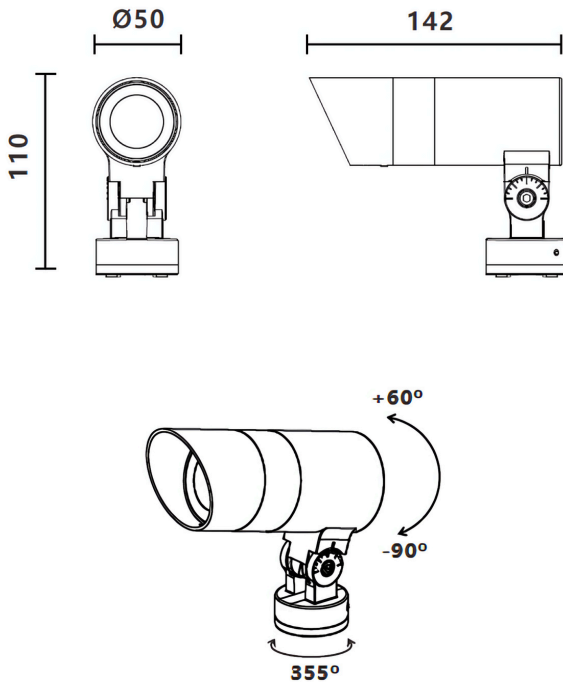


PRODUCT SPECIFICATION

LIGHTING FEATURES

No. and Type of LED:	1pc High Efficacy COB
Average LED Life:	80% after 50000hrs
Color Temperature:	22000K TO 5000K / RGB /RGBW
CRI:	Ra80+ / Ra90+
Lumen Output at Source:	-
Total Delivered Lumens:	410lm / 520lm

DIMENSION DRAWING



OPTICAL FEATURES

Beam Angle:	15° / 24° / 36° / 60°
Accessories:	Honey comb / Asymmetric Snoot / Spike / Rod with Spike / Tree Strap / Pole Mounted Hoop, Base / (upon request)

ELECTRICAL FEATURES

Power:	5W / 7W
Voltage:	DC 24V / AC 220V
Control Protocol:	On-off / DMX /Dali /1-10V / PWM

MECHANICAL FEATURES

Dimensions:	Φ50mm x H110mm x L142mm
Housing Material:	Die-Cast Aluminum Housing / Tempered Glass
Finish:	Black / White / Grey / Customized
Mounting Type:	Surface Mounted (Ground / Wall)

GENERAL FEATURES

Ingress Protection:	IP 65
Operating Temp:	From -35°C to + 50°C
Impact Resistance:	IK 06
Insulation Class:	Class I / Class III
Power Cable:	Include 1m Neoprene Cable (customizable lengths)