



**PRODUCT DESCRIPTION**

A stylish LED fixture in elegant customizable finishes black, white, grey, or bespoke designed for discreet wall or ground installation. It includes a flexible power interface suitable for indoor or outdoor settings. Constructed from robust materials, it features IP65-rated protection, ensuring reliability in varied environments. With its thoughtfully simple design, this fixture adapts effortlessly to residential or commercial spaces, blending refined aesthetics with dependable performance.

LED

IP65

IK06

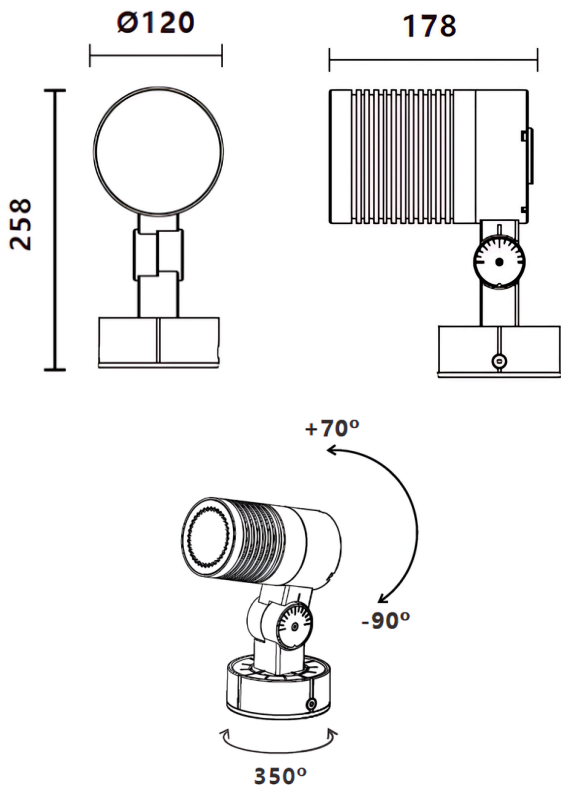


**PRODUCT SPECIFICATION**

**LIGHTING FEATURES**

No. and Type of LED:	1pcs High Efficacy COB
Average LED Life:	80% after 50000hrs
Color Temperature:	2200K to 5000K / RGB / RGBW
CRI:	Ra80+ / Ra90+
Lumen Output at Source:	-
Total Delivered Lumens:	1860lm / 2200lm

**DIMENSION DRAWING**



**OPTICAL FEATURES**

Beam Angle:	5° / 15° / 30° / 60°
Accessories:	Asymmetric Snoot / Honey comb / Spike / Rod with Spike / Tree Strap / Pole Mounted Hoop, Base (upon request)

**ELECTRICAL FEATURES**

Power:	25W / 30W
Voltage:	DC 24V / AC 220V
Control Protocol:	On-Off / DMX / Dali / 1-10V / PWM

**MECHANICAL FEATURES**

Dimensions:	Φ120 x H258mm x L178mm
Housing Material:	Die-Cast Aluminum Housing / Tempered Glass
Finish:	Black / White / Grey / Customized
Mounting Type:	Surface Mounted (Ground / Wall)

**GENERAL FEATURES**

Ingress Protection:	IP 65
Operating Temp:	-35°C to 50°C
Impact Resistance:	IK 06
Insulation Class:	Class I / Class III
Power Cable:	Include 1m Neoprene Cable (Customizable lengths)