



PRODUCT DESCRIPTION

The AADOR80 is sleek and discreet accent light is designed to seamlessly integrate into ground or wall surfaces, offering a subtle, elegant glow without drawing attention to itself. It harmonizes with any architectural or landscape setting. Ideal for both indoor and outdoor environments, its low-profile design delivers refined ambiance, gently illuminating pathways, feature walls, or decorative elements with understated sophistication.

LED

IP67

IK10

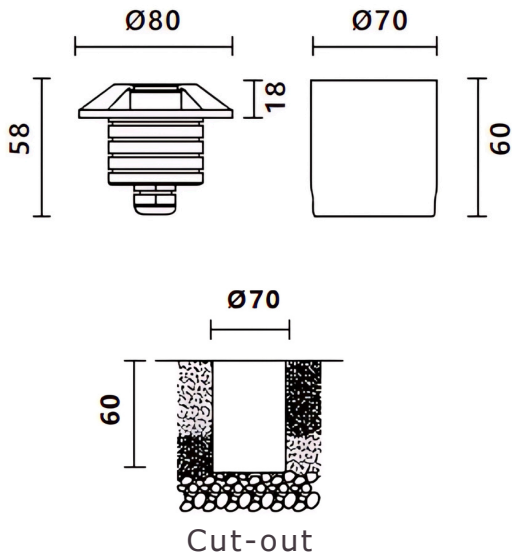


PRODUCT SPECIFICATION

LIGHTING FEATURES

No. and Type of LED:	1x2pcs / 2x2pcs / 3x2pcs / 4x2pcs SMD LEDs
Average LED Life:	70% after 50000hrs
Color Temperature:	2200K to 5000K
CRI:	Ra80+ / Ra90+
Lumen Output at Source:	-
Total Delivered Lumens:	55lm / 2x55lm / 3x55lm / 4x55lm

DIMENSION DRAWING



OPTICAL FEATURES

Beam Angle:	-
Accessory:	Top Cover Option

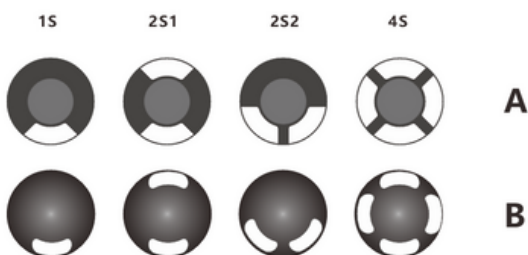
ELECTRICAL FEATURES

Power:	1x1W / 2x1W / 3x1W / 4x1W (Built-in Driver / Remote Driver)
Voltage:	DC 24V / AC 220V
Control Protocol:	On-Off / DMX / DALI / 1-10 V / PWM

MECHANICAL FEATURES

Dimensions:	Φ80 x H58mm
Housing Material:	Aluminum / Steel / Brass
Finish:	Steel / Brass / Black / White / Grey / Custom made
Mounting Type:	Semi Recessed (Inground / Wall)

TOP COVER OPTIONS



GENERAL FEATURES

Ingress Protection:	IP 67
Operating Temp:	From -35°C to 50° C
Impact Resistance:	IK 10
Insulation Class:	Class I / Class III
Cable:	Include 1m Neoprene Cable (customizable lengths)