



**PRODUCT DESCRIPTION**

The AADOR60 is a sleek, low-profile LED in-ground or wall fixture designed to deliver a clean, modern accent light. It subtly blends into its surroundings. Ideal for both indoor and outdoor installations, it provides a gentle, elegantly concealed glow that enhances architectural features and landscape elements without drawing attention to the light source itself.

**LED**

**IP67**

**IK10**



**PRODUCT SPECIFICATION**

**LIGHTING FEATURES**

No. and Type of LED:	2pcs / 2x2pcs SMD LEDs
Average LED Life:	70% after 50000hrs
Color Temperature:	2200K to 5000K
CRI:	Ra80+ / Ra90+
Lumen Output at Source:	-
Total Delivered Lumens:	55lm / 2x55lm

**OPTICAL FEATURES**

Beam Angle:	-
Accessory:	Top Cover Option

**ELECTRICAL FEATURES**

Power:	1W / 2x1W (Built-in Driver / Remote Driver)
Voltage:	DC 24V / AC 220V
Control Protocol:	On-Off / DMX / DALI / 1-10 V / PWM

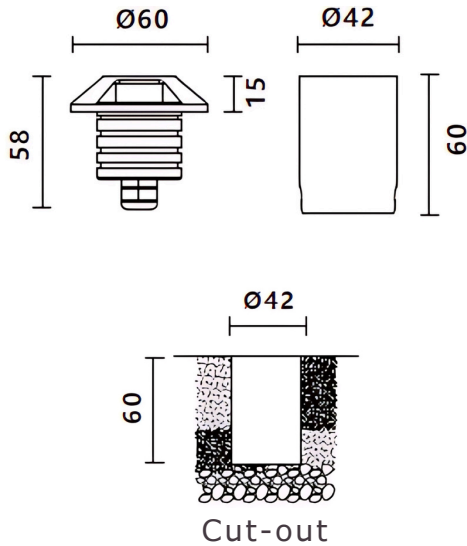
**MECHANICAL FEATURES**

Dimensions:	Φ60 x H58mm
Housing Material:	Aluminum / Steel / Brass
Finish:	Steel / Brass / Black / White / Grey / Custom made
Mounting Type:	Semi Recessed (Inground, Wall)

**GENERAL FEATURES**

Ingress Protection:	IP 67
Operating Temp:	From -35°C to 50° C
Impact Resistance:	IK 10
Insulation Class:	Class I / Class III
Cable:	Include 1m Neoprene Cable (customizable lengths)

**DIMENSION DRAWING**



**TOP COVER OPTIONS**

