

PRODUCT DESCRIPTION

The AADOR100 is a low-profile, rugged LED ground light designed to elegantly illuminate pathways, architectural accents, and outdoor landscapes. Built with premium materials and rated for outdoor durability, it delivers long lasting, high quality illumination in a minimalist form factor perfect for subtle yet striking ambient lighting.

LED

IP67

IK10



PRODUCT SPECIFICATION

LIGHTING FEATURES

No. and Type of LED:	6pcs / 2x6pcs / 3x6pcs / 4x6pcs SMD LEDs
Average LED Life:	70% after 50000hrs
Color Temperature:	2200K to 5000K
CRI:	Ra80+ / Ra90+
Lumen Output at Source:	100 lm/w
Total Delivered Lumens:	1x150lm / 2x150lm / 3x95lm / 4x95lm

OPTICAL FEATURES

Beam Angle:	-
Accessory:	Top cover options

ELECTRICAL FEATURES

Power:	1x3W / 2x3W / 3x2W / 4x2W (Built-in Driver / Remote Driver)
Voltage:	DC 24V / AC 220V
Control Protocol:	On-Off / DMX / DALI / 1-10 V / PWM

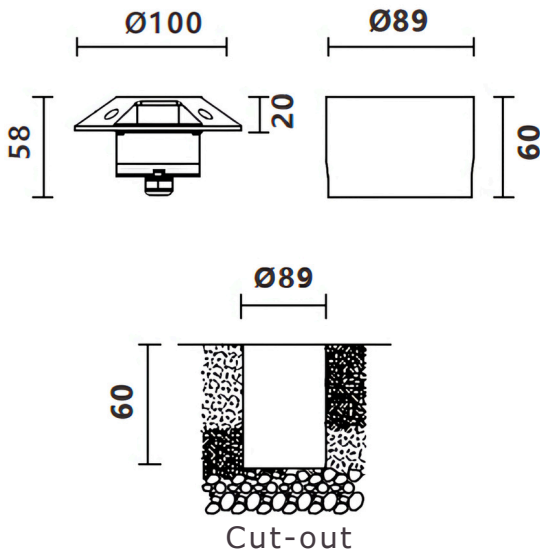
MECHANICAL FEATURES

Dimensions:	Φ100 x H58mm
Housing Material:	Aluminum / Steel / Brass
Finish:	Steel / Brass / Black / White / Grey / Custom made
Mounting Type:	Semi Recessed (Inground / Wall)

GENERAL FEATURES

Ingress Protection:	IP 67
Operating Temp:	From -35°C to 50° C
Impact Resistance:	IK 10
Insulation Class:	Class I / Class III
Cable:	Include 1m Neoprene Cable (customizable lengths)

DIMENSION DRAWING



TOP COVER OPTIONS

